



4.8V 2500mAh

Model: 551106 | Date: 7.1.2019

VERTICAL PARTNERS WEST / LLC

4-Cell 2500mAh 4.8V PTC Cube NiMH



Battery Features

- High capacity NiMH Metal Hydride Battery
- Integrated PTC Protection Circuit
- Low self discharge rate and low maintenance
- Available in a wide range of sizes and capacities

The Vertical Partners West Advantage

Our long history of designing battery and charging systems makes VPW your ideal power management partner for OEM projects. We are a U.S. based supplier with multiple highly vetted mass manufacturing partner facilities in Asia. Working closely with your design team, VPW delivers just the right solution designed to fit your application and budget.

Let our experience with advanced chemistries, sophisticated battery charging & management systems and our expertise with complex assemblies power your project. Leverage our vast buying power, door-to-door import ease and low minimum order quantities for your next premium battery or charger project.

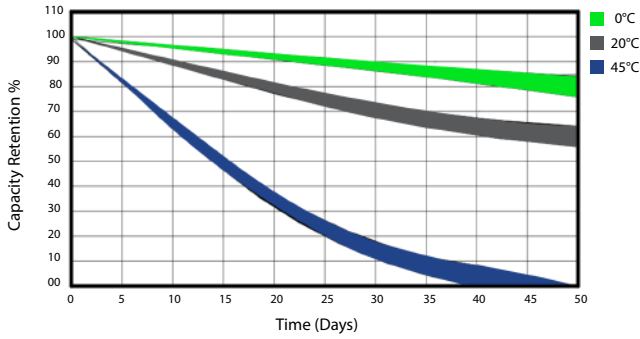
Performance Characteristics	Typical
Capacity	2500mAh
Voltage (Nominal)	4.8V
Discharge Energy	12Wh
Weight	207g
Specific Energy	58Wh/kg
Max Cont. Discharge Current	5.5A
DC Resistance	≤100 mΩ

Cycle Life	Typical
100% DOD Cycles @ 20°C ± 5°C	≥500 cycles

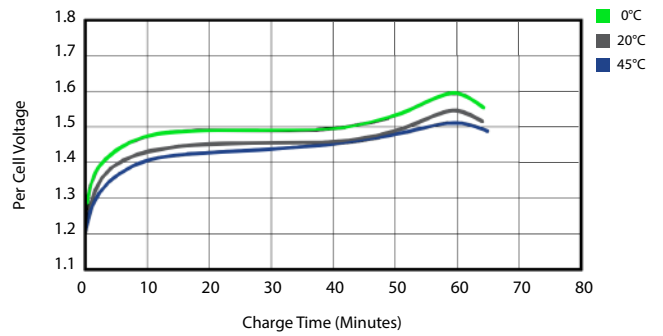
Operational Range	Typical
Upper Voltage Limit	6V
Lower Voltage Limit	4V
PTC Trip Current	10.5A
Charge Temperature Range	0°C ~ 45°C
Discharge Temperature Range	-20°C ~ 50°C

Battery Characteristics

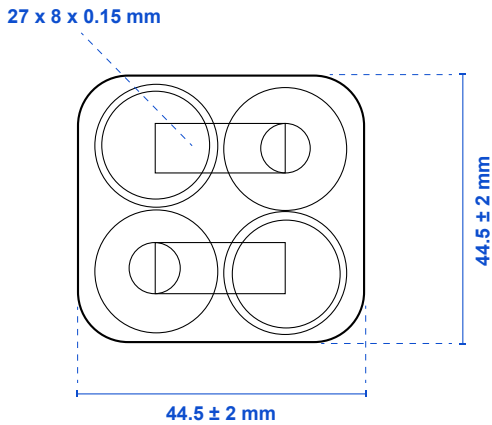
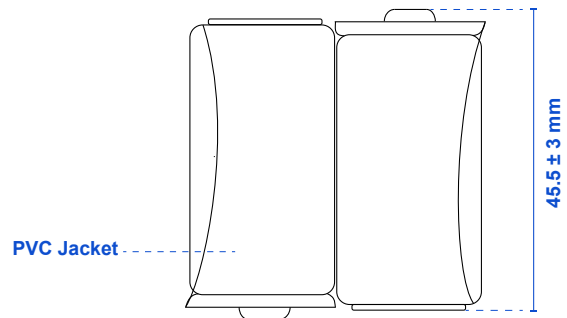
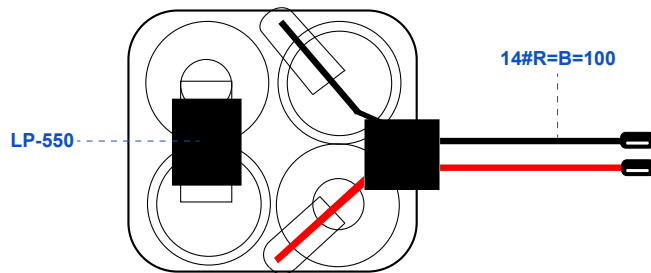
Charge Retention Curve - Storage



Rapid Charge Curve - Voltage/Minutes



Mechanical Characteristics



14028 North Ohio Street, Rathdrum, Idaho 83858 • (800) 705-0620

Email: sales@vpwllc.com
 Web: vpwllc.com

The information contained herein is provided solely for the purpose of general explanation and illustration and is subject to modification without notice. No warranty or guarantee is given in regard to the information contained herein or the referenced products. Please contact Vertical Partners West® for the most current and relevant product information for your application.