

## VERTICAL PARTNERS WEST / LLC

4-Cell 5000mAh 4.8V PTC Cube NiMH



### Battery Features

- High capacity NiMH Metal Hydride Battery
- Integrated PTC Protection Circuit
- Low self discharge rate and low maintenance
- Available in a wide range of sizes and capacities

## The Vertical Partners West Advantage

Our long history of designing battery and charging systems makes VPW your ideal power management partner for OEM projects. We are a U.S. based supplier with multiple highly vetted mass manufacturing partner facilities in Asia. Working closely with your design team, VPW delivers just the right solution designed to fit your application and budget.

Let our experience with advanced chemistries, sophisticated battery charging & management systems and our expertise with complex assemblies power your project. Leverage our vast buying power, door-to-door import ease and low minimum order quantities for your next premium battery or charger project.

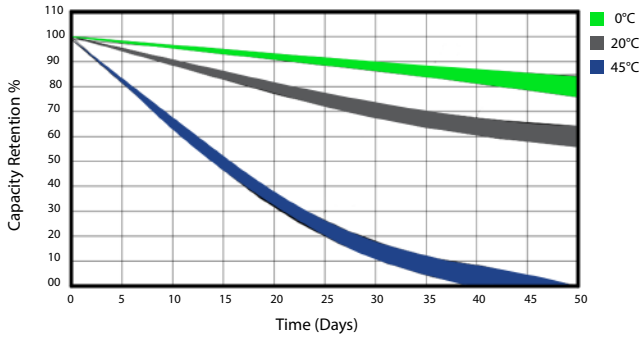
Performance Characteristics	Typical
Capacity	5000mAh
Voltage (Nominal)	4.8V
Discharge Energy	24Wh
Weight	290g
Specific Energy	82.8Wh/kg
Max Cont. Discharge Current	11A
DC Resistance	≤50 mΩ

Cycle Life	Typical
100% DOD Cycles @ 20°C ± 5°C	≥500 cycles

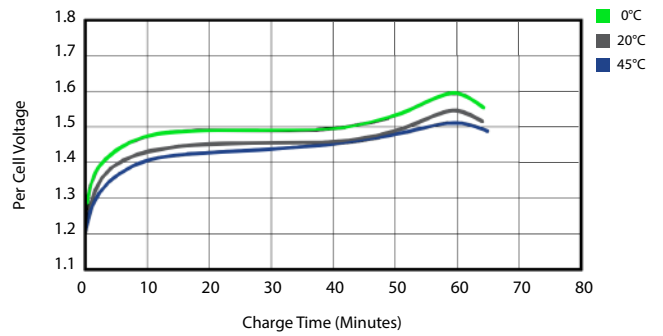
Operational Range	Typical
Upper Voltage Limit	6V
Lower Voltage Limit	4V
PTC Trip Current	13A
Charge Temperature Range	0°C ~ 45°C
Discharge Temperature Range	-20°C ~ 50°C

# Battery Characteristics

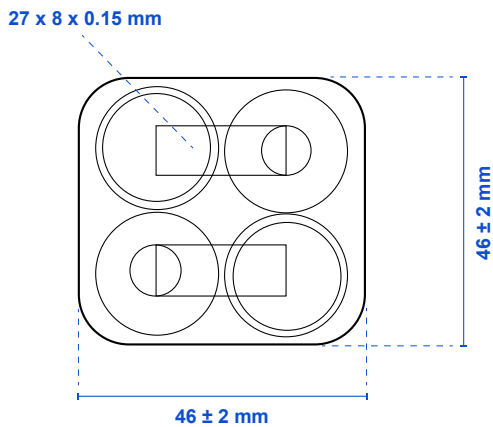
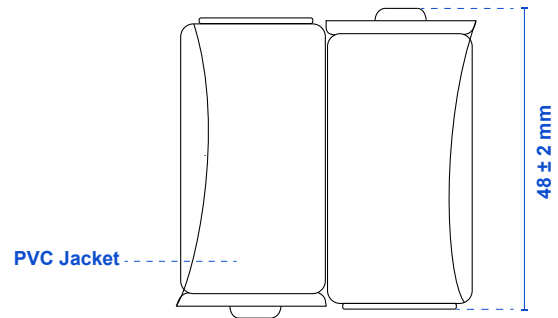
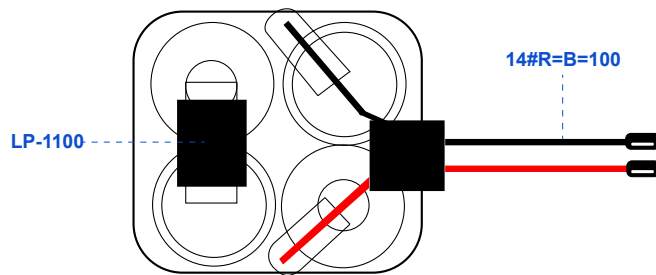
## Charge Retention Curve - Storage



## Rapid Charge Curve - Voltage/Minutes



## Mechanical Characteristics



14028 North Ohio Street, Rathdrum, Idaho 83858 • (800) 705-0620

Email: [sales@vpwllc.com](mailto:sales@vpwllc.com)  
Web: [vpwllc.com](http://vpwllc.com)

The information contained herein is provided solely for the purpose of general explanation and illustration and is subject to modification without notice. No warranty or guarantee is given in regard to the information contained herein or the referenced products. Please contact Vertical Partners West® for the most current and relevant product information for your application.