



VERTICAL PARTNERS WEST, LLC

## SPECIFICATIONS

Part#: 552108

Description:

5-Cell 5000mAh 6V PTC Hump Pack NiMH



## Nickel Metal Hydride

### ELECTRICAL SPECIFICATIONS

Nominal Voltage	6V
Nominal Capacity	5000mAh
Resistance	≤40 mΩ

### DISCHARGE SPECIFICATIONS

Maximum Continuous Discharge Current	11A
PTC Trip Current	13A
Minimum Voltage	5V

### CHARGE SPECIFICATIONS

Recommended Charge Current	(0.1C) 0.46A
Trickle Charge Current	(0.05C) 0.23A
Maximum Charge Current	1C (5A)
Maximum Voltage	7.5V

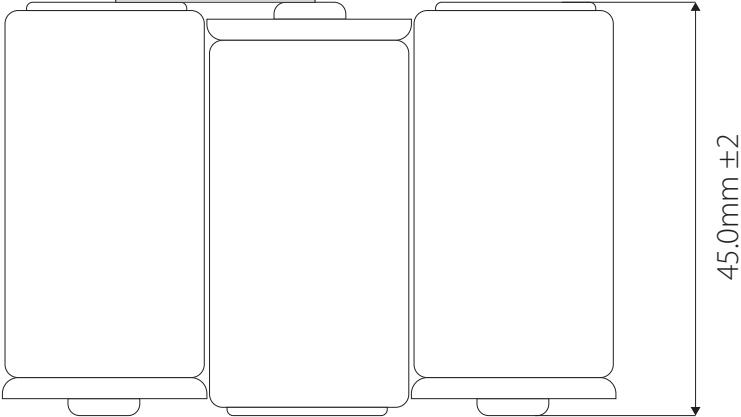
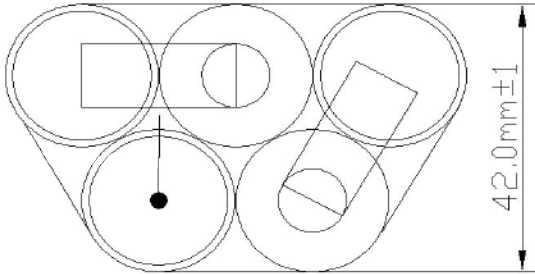
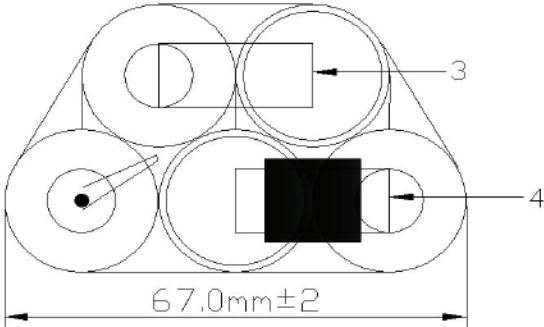
### MECHANICAL SPECIFICATIONS

Dimensions	2.7 x 1.6 x 1.8 in 68 x 41 x 46 mm
Weight	368g (13 oz)
Terminal Type	N/A - No Plug
Case Material	Shrink Wrap
Cell Type	Sub-C

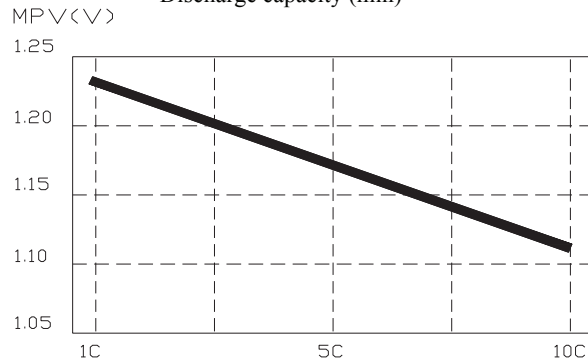
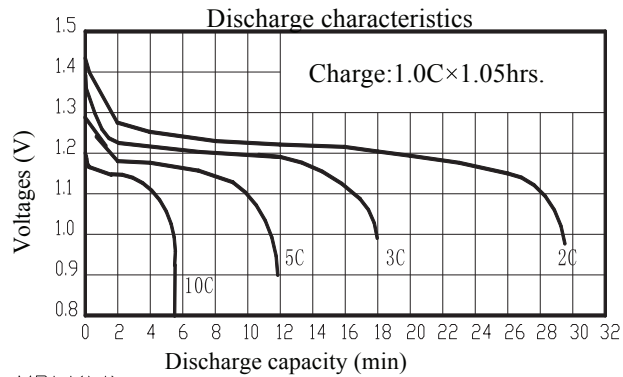
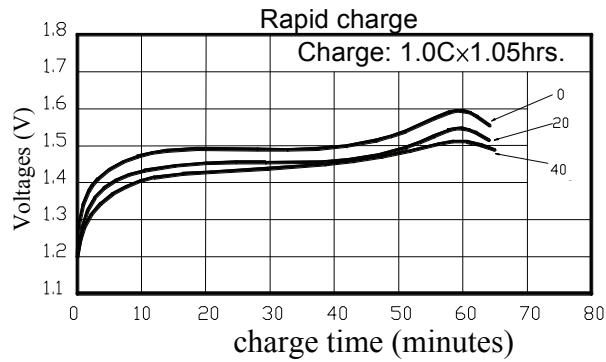
### TEMPERATURE SPECIFICATIONS

Discharge Temperature	-20 ~ 50 °C
Charge Temperature	0 ~ 45 °C
Storage Temperature	-20 ~ 40 °C

**DIMENSIONAL SPECIFICATIONS**



**PERFORMANCE CHARACTERISTICS**



Charge retention curves of Ni-MH cylindrical cell At various storage temperature

