



VERTICAL PARTNERS WEST, LLC

SPECIFICATIONS

Part#: 551306

Description:

6-Cell 3600mAh 7.2V PTC Flat Pack NiMH



Nickel Metal Hydride

ELECTRICAL SPECIFICATIONS

Nominal Voltage	7.2V
Nominal Capacity	3600mAh
Resistance	≤50 mΩ

DISCHARGE SPECIFICATIONS

Maximum Continuous Discharge Current	7.3A
PTC Trip Current	14.1A
Minimum Voltage	6V

CHARGE SPECIFICATIONS

Recommended Charge Current	(0.1C) 0.36A
Trickle Charge Current	(0.05C) 0.18A
Maximum Charge Current	1C (3.6A)
Maximum Voltage	9V

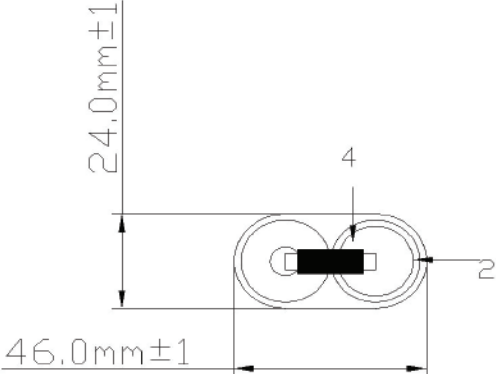
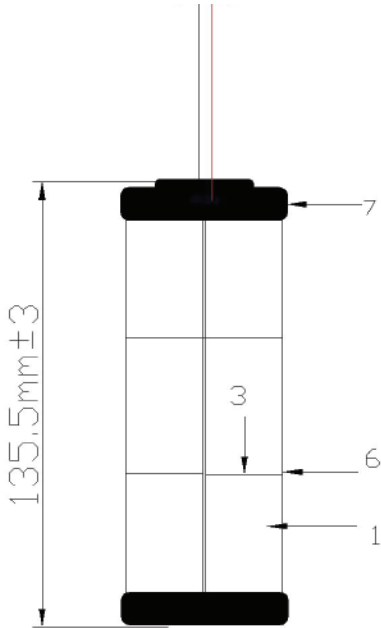
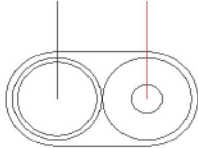
MECHANICAL SPECIFICATIONS

Dimensions	5.5 x 1.8 x 1 in 138.5 x 46.5 x 25 mm
Weight	375g (13.3 oz)
Terminal Type	N/A - No Plug
Case Material	Shrink Wrap
Cell Type	Sub-C

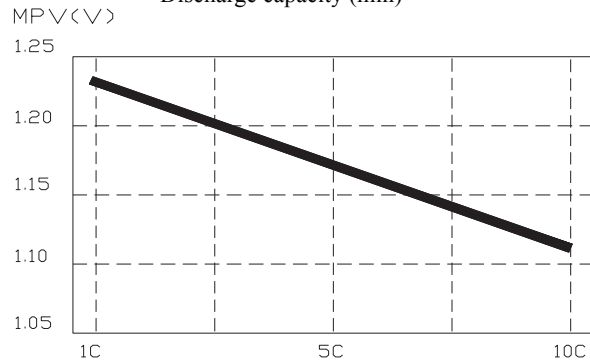
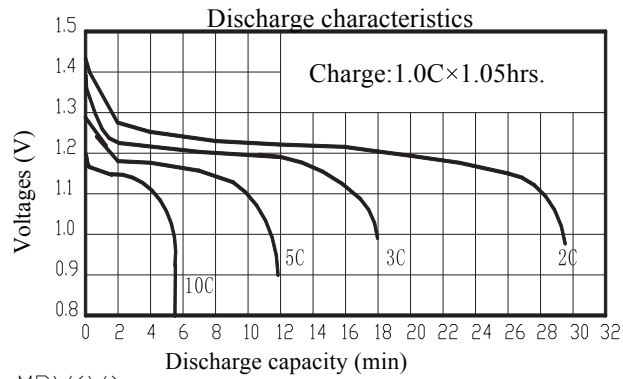
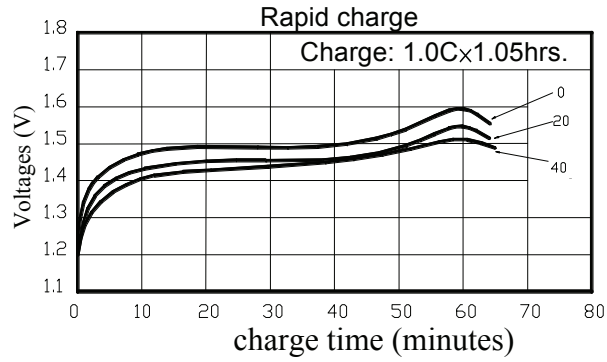
TEMPERATURE SPECIFICATIONS

Discharge Temperature	-20 ~ 50 °C
Charge Temperature	0 ~ 45 °C
Storage Temperature	-20 ~ 40 °C

DIMENSIONAL SPECIFICATIONS



PERFORMANCE CHARACTERISTICS



Charge retention curves of Ni-MH cylindrical cell At various storage temperature

