



VERTICAL PARTNERS WEST, LLC

SPECIFICATIONS

Part#: 551108

Description:

4-Cell 5000mAh 4.8V PTC Cube NiMH



Nickel Metal Hydride

ELECTRICAL SPECIFICATIONS

Nominal Voltage	4.8V
Nominal Capacity	5000mAh
Resistance	$\leq 50\text{ m}\Omega$

DISCHARGE SPECIFICATIONS

Maximum Continuous Discharge Current	11A
PTC Trip Current	13A
Minimum Voltage	4V

CHARGE SPECIFICATIONS

Recommended Charge Current	(0.1C) 0.46A
Trickle Charge Current	(0.05C) 0.23A
Maximum Charge Current	1C (5A)
Maximum Voltage	6V

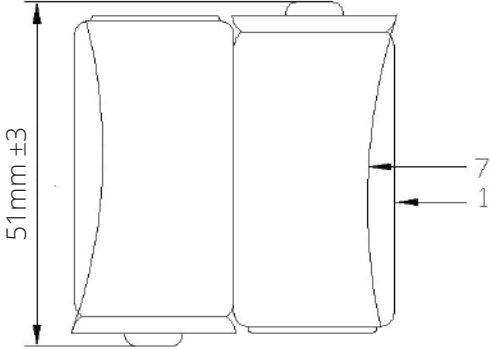
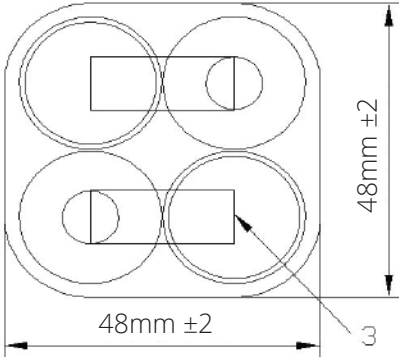
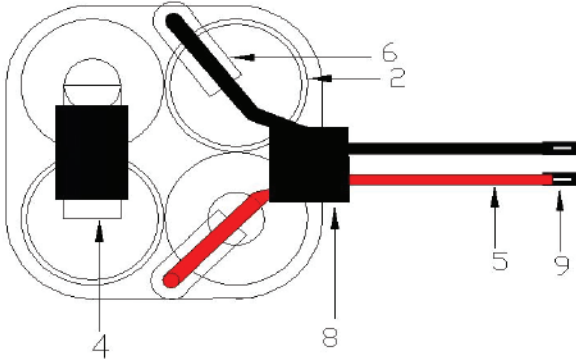
MECHANICAL SPECIFICATIONS

Dimensions	1.9 x 1.9 x 2 in 48 x 48 x 51 mm
Weight	290g (10.2 oz)
Terminal Type	N/A - No Plug
Case Material	Shrink Wrap
Cell Type	Sub-C

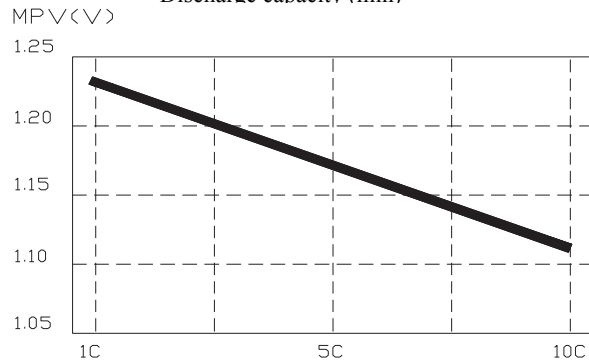
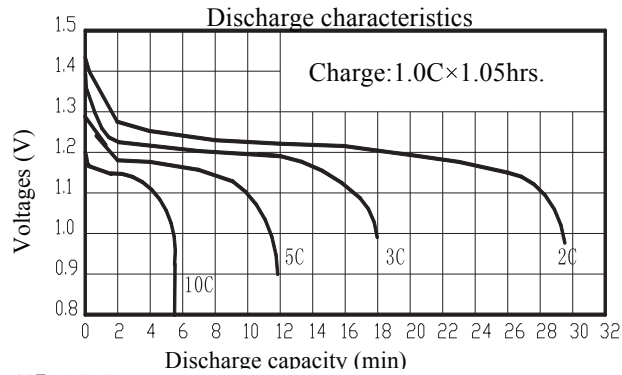
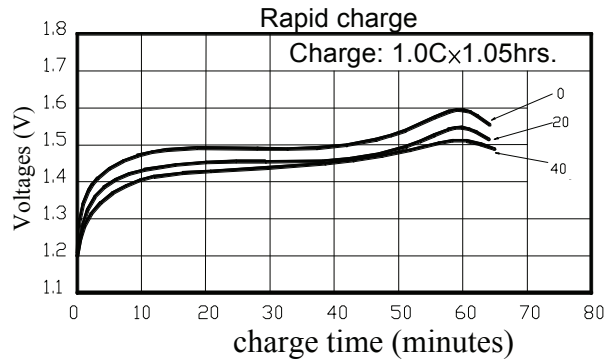
TEMPERATURE SPECIFICATIONS

Discharge Temperature	-20 ~ 50 °C
Charge Temperature	0 ~ 45 °C
Storage Temperature	-20 ~ 40 °C

DIMENSIONAL SPECIFICATIONS



PERFORMANCE CHARACTERISTICS



Charge retention curves of Ni-MH cylindrical cell At various storage temperature

